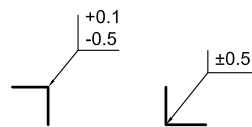
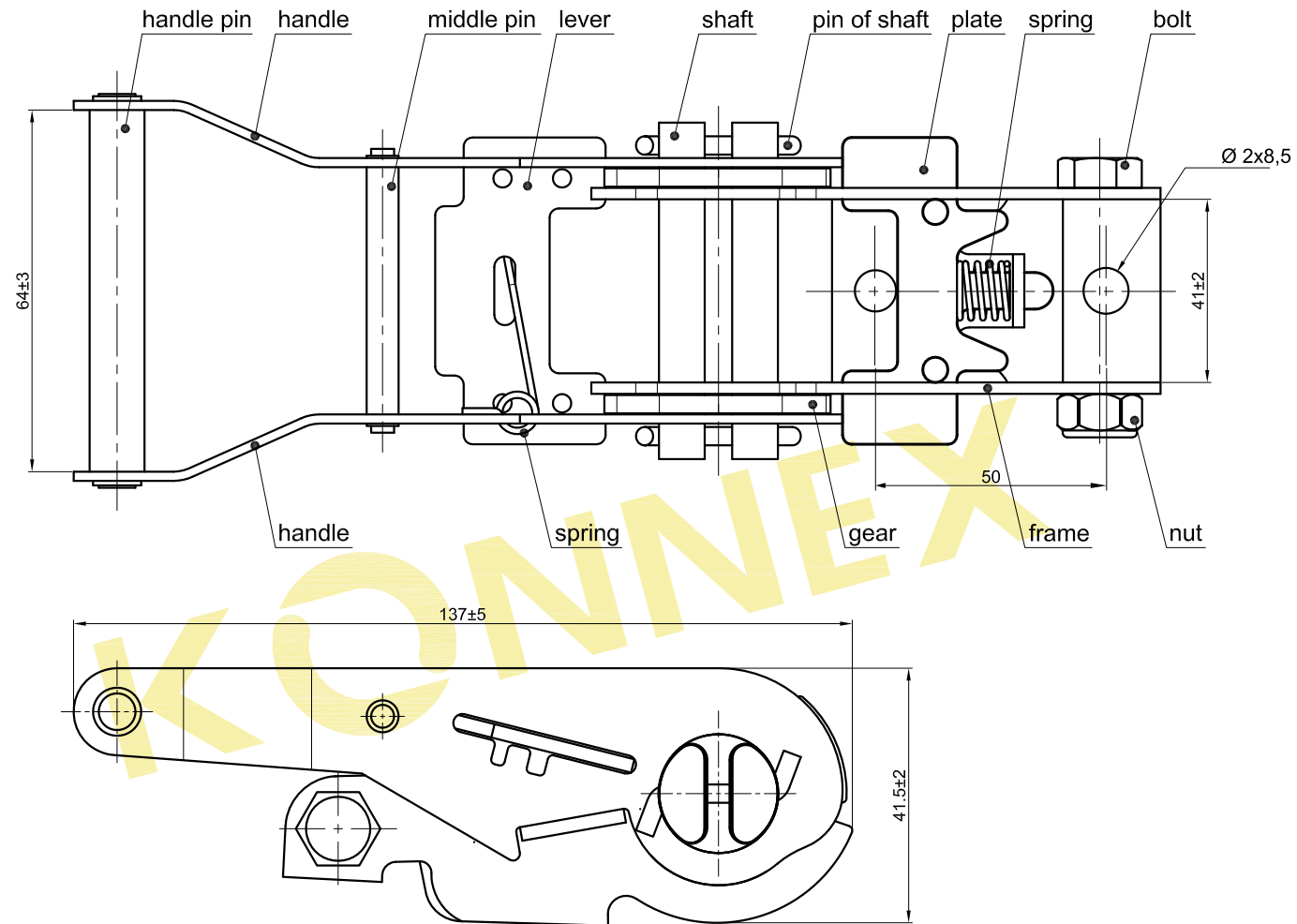


Stamping:

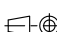
Logo LC 7.5kN SC/M/YY

1. "Logo" 
2. "LC" load capacity
3. "SC" Supplier code
4. "M" Month code
 - A - January
 - B - February
 - C - March
 - D - April
 - E - May
 - F - June
 - G - July
 - H - August
 - I - September
 - K - October
 - L - November
 - M - December
5. "YY" Year code



Technical requirements:

1. Breaking strength (BS): 15 kN
2. No cracking pitting rust spot and scratch
3. Tested according: DIN EN 12195-2

Product Code: 71BX015		Surface Requirement:	Tolerance: ---	Projection: 	Scale: ---	Weight: ---g
				Material: St,steel		
		Date 2015.04.08	Name QWZ	Part Name: Druckratsche 35mm - 15kN Pressure ratchet 35mm - 15kN		
		Design				
		Check				
		Approve				
KONNEX				Drawing No: 71BX015		
		Page 1	Rev	Format A4		
ECN	No	Content of Change	Date	Name	Original Drawing : ---	Replaces: --- Replaced by: ---